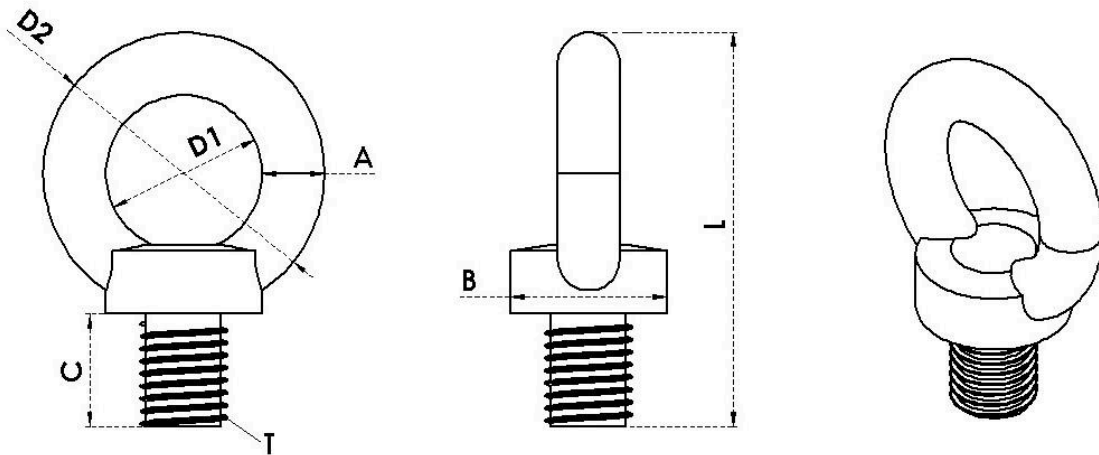


# SIMPLEX

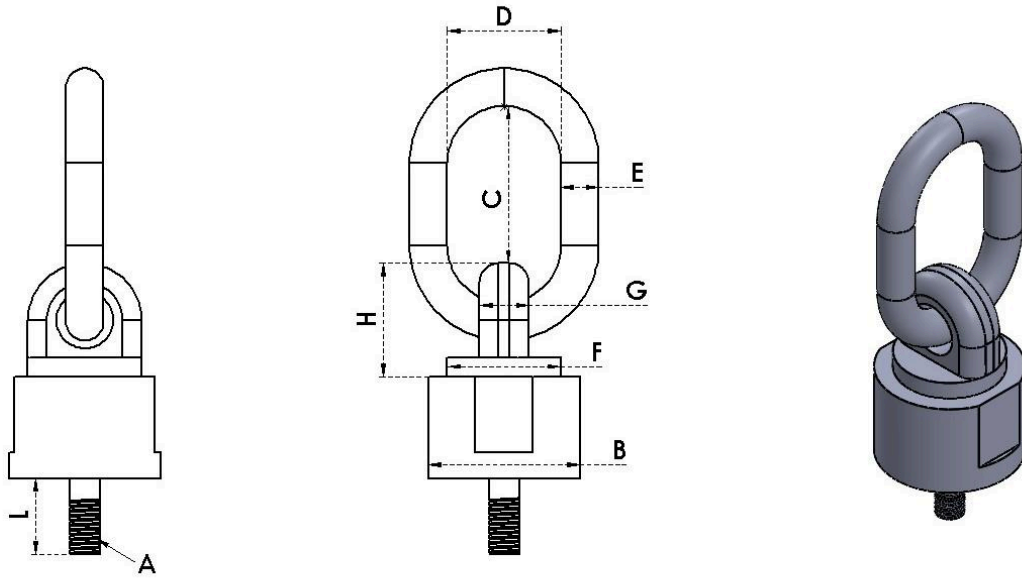
## EYE BOLT



Thread (mm)	Ring Dia (mm)	Inner Dia (mm)	Outer Dia (mm)	Base Dia (mm)		Total Length (mm)
T	A	D1	D2	B	C	L
M6	8	19	36	20	14	50
M8	8	20	36	20	14	52
M10	10	25	45	26	18	64
M12	12	30	54	30	20	74
M14	12	30	54	30	20	74
M16	15	34	64	34	23	90
M20	16	39	72	39	31	102
M24	19	50	88	50	36	125
M27	25	60	110	60	42	152
M30	25	58	108	58	51	153
M36	29	68	126	68	55	180

# SIMPLEX

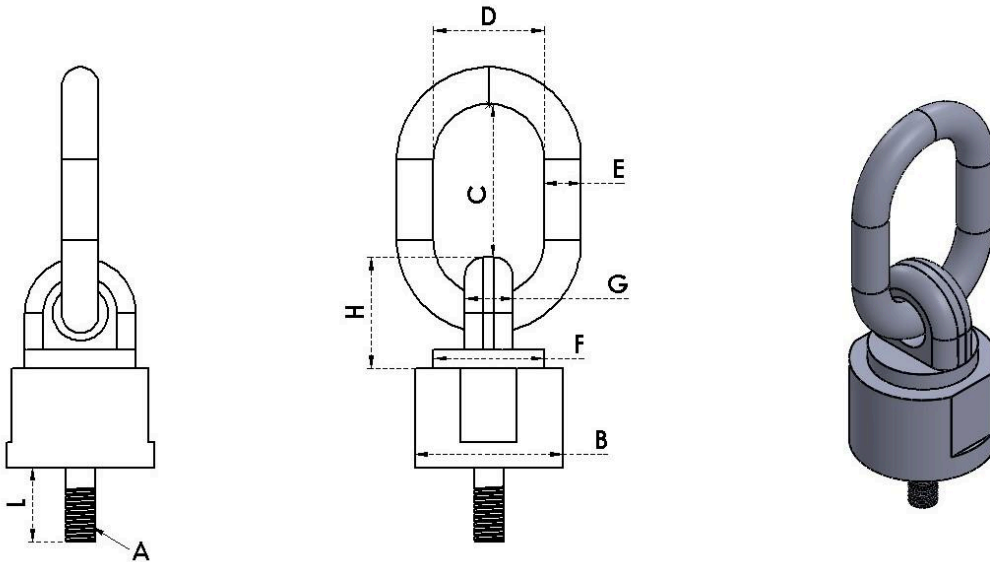
## SWIVEL EYE BOLT ( MM THREAD)



A	L	B	C	D	E	F	G	H
M8 x 1.25	12	40	46	30	10	30	13	30
M10 x 1.50	18	40	52	30	10	30	13	30
M12 x 1.75	20	40	50	30	10	30	13	30
M16 x 2.00	25	45	52	35	12	35	16	38
M20 x 2.50	30	55	65	40	16	40	20	40
M24 x 3.00	35	60	72	45	18	45	22	43
M30 x 3.50	45	65	85	50	20	50	25	55
M36 x 4.00	50	80	90	60	25	60	30	58
M42 x 4.50	60	85	110	70	28	60	30	62

# SIMPLEX

## SWIVEL EYE BOLT ( UNC THREAD)



A	L	B	C	D	E	F	G	H
5/16 " - 18 UNC	12	40	46	30	10	30	13	30
3/8 " - 16 UNC	18	40	52	30	10	30	13	30
1/2 " - 13 UNC	20	40	50	30	10	30	13	30
5/8 " - 11 UNC	25	45	52	35	12	35	16	38
3/4 " - 10 UNC	30	55	65	40	16	40	20	40
7/8 " - 9 UNC	35	60	72	45	18	45	22	43
1 " - 8 UNC	35	60	72	45	18	45	22	43
1 1/8 " - 8 UNC	35	60	72	45	18	45	22	43
1 1/4 " - 8 UNC	45	65	85	50	20	50	25	55
1 3/8 " - 8 UNC	45	65	85	50	20	50	25	55
1 1/2 " - 8 UNC	50	80	90	60	25	60	30	58