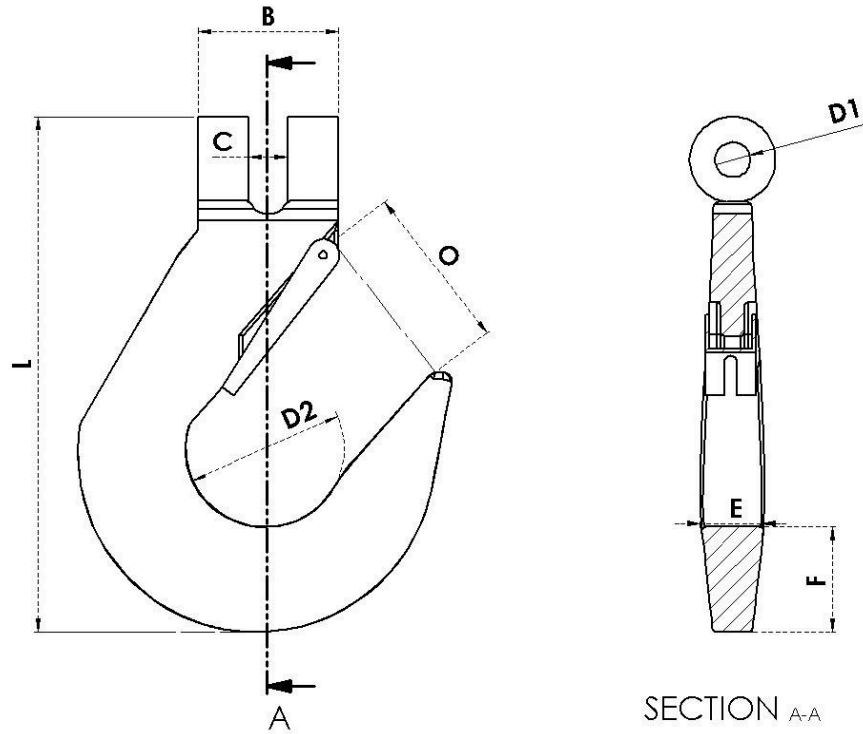


SIMPLEX

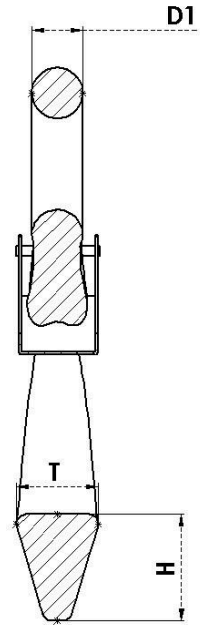
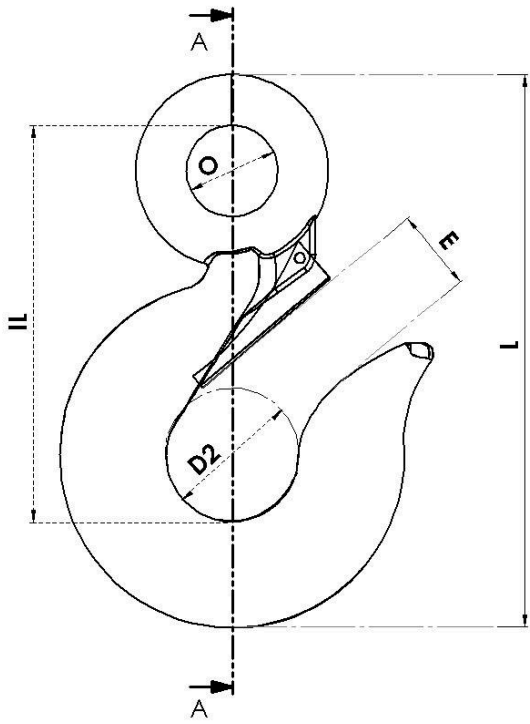
CLEVIS HOOK with Latch



CAPACITY (ton)	HOLE DIA (mm)	INNER GAP (mm)	OUTER LENGTH (mm)	OPENING (mm)	INNER DIA (mm)	THICKNESS (mm)	HEIGHT (mm)	TOTAL LENGTH (mm)	WEIGHT (kg)
	D1	C	D	O	D2	E	F	L	
1.12	8	8	35	20	25	14	21	108	0.3
2	9	10	36	32	38	16	27	131	0.45
3.2	12	13	46	36	45	22	37	159	0.95
5.3	16	17	57	38	53	26	46	193	1.75
8	19	23	68	53	58	34	58	235	3.4
12	24	25	78	58	78	43	57	265	5.6

SIMPLEX

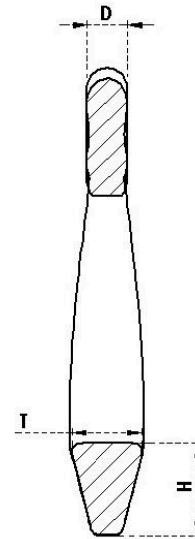
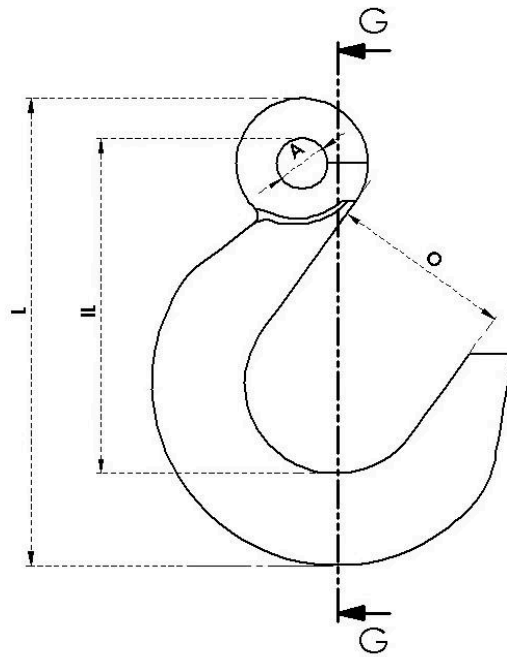
FLAT EYE HOOK GR80



SECTION A-A
SCALE 1.4 : 1

CAPACITY (ton)	DIA (mm)	HOLE DIA (mm)	OPENING (mm)	LENGTH (mm)	INNER LENGTH (mm)	INNER DIA (mm)	THICKNESS (mm)	HEIGHT (mm)	WT./NO.
	D1	O	E	L	IL	D2	T	H	
1	10	20	21	108/116	85	21	15	21	250 g
2	12	25	28	131/140	93	37	19	26/30	500 g
3	16	34	32	164/175	113	43	22	35	1.050 kg
5	20	40	35/40	210/215	145	53	28/34	45	1.900 kg
8	25	46/50	44/49	247/251	180	65	35/32	50/56	3.000 kg
12	27/34	60	54	300/315	214	84/78	46	59	6.300 kg
15	30	60	73	340	234	95	43	76	8.950 kg
21.2	37	63	87	385	260	110	63	88	13.850 kg
31.5	39	86	103	470	334	133	69	97	22.250 kg

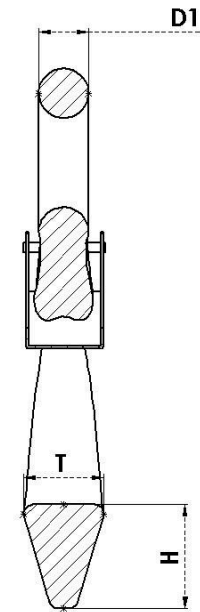
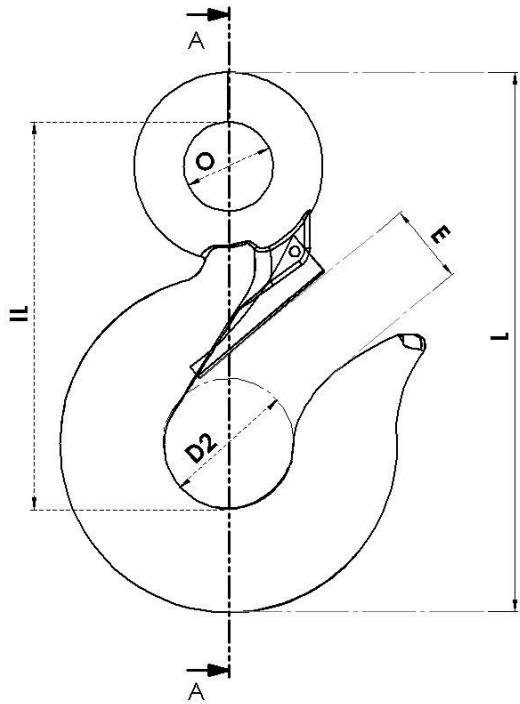
SIMPLEX FOUNDRY HOOK



SECTION G-G
SCALE 1 : 1.5

CAPACITY (ton)	DIA (mm)	HOLE DIA (mm)	OPENING (mm)	LENGTH (mm)	INNER LENGTH (mm)	THICKNESS (mm)	HEIGHT (mm)	Weight
	D	A	O	L	IL	T	H	
2	13	19	62	160	118	26	32	1.100 kg
3.2	9	31	60	170	122	24	33	950 g
5.4	24	38	77	233	169	35	45	2.850 kg
5.4	19	22	89	233	169	37	45	3.250 kg
8	23	32	100	272	202	45	52	4.900 kg

INDIAN CHAIN EYE HOOK

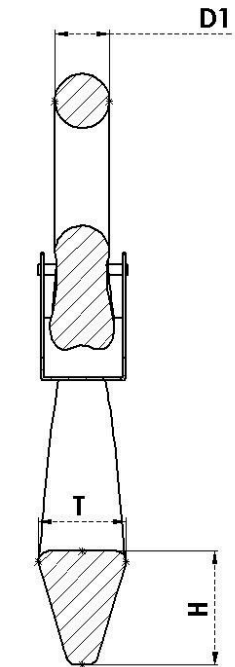
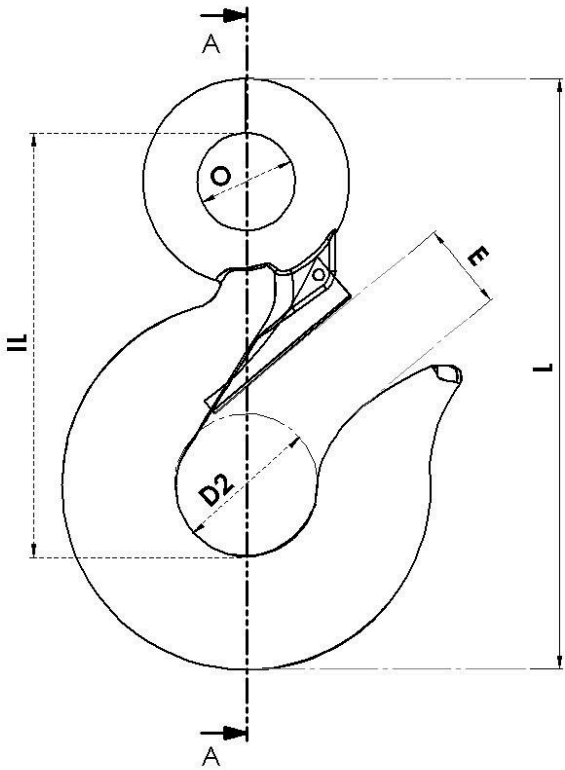


SECTION A-A
SCALE 1.4 : 1

CAPACITY (ton)	DIA (mm)	HOLE DIA (mm)	OPENING (mm)	LENGTH (mm)	INNER LENGTH (mm)	INNER DIA (mm)	THICKNESS (mm)	HEIGHT (mm)
	D1	O	E	L	IL	D2	T	H
3	16	31	30	170	122	40	20	32
5	20	25	46	210	142	56	30	48
8	27	32	50	255	169	65	39	59
12	33	40	70	325	215	85	48	77
16	36	43	78	350	235	92	51	79
20	43	51	85	410	277	116	63	90

SIMPLEX

M.S. HOOK

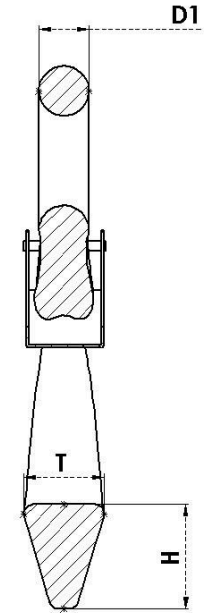
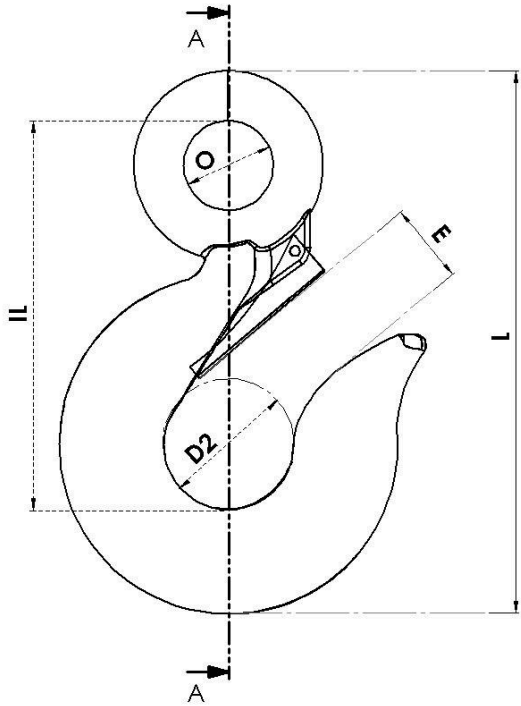


SECTION A-A
SCALE 1.4:1

CAPACITY (ton)	DIA (mm)	HOLE DIA (mm)	OPENING (mm)	LENGTH (mm)	INNER LENGTH (mm)	INNER DIA (mm)	THICKNESS (mm)	HEIGHT (mm)	WT./NO.
	D1	O	E	L	IL	D2	T	H	
1	17	30	31	160	111	38	24	32	0.8 kg
2	26	32	42	225	149	47	26	50	2.25 kg
3.2	27	44	52	285	195	64	38	63	3.9 kg
5	31	57	62	350	245	82	45	74	7.75 kg

SIMPLEX

OVAL TYPE HOOK

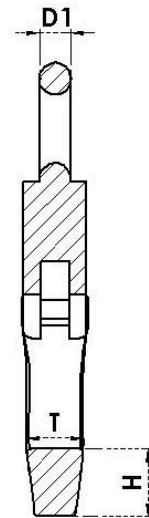
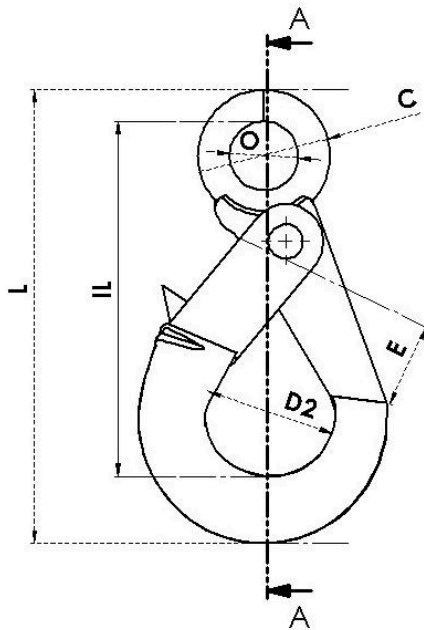


SECTION A-A
SCALE 1.4 : 1

CAPACITY (ton)	DIA (mm)	HOLE DIA (mm)	OPENING (mm)	LENGTH (mm)	INNER LENGTH (mm)	INNER DIA (mm)	THICKNESS (mm)	HEIGHT (mm)	WT./NO.
	D1	O	E	L	IL	D2	T	H	
1	10	18	19	109	80	26	16	21	250 g
2	13	26	22	138	104	32	20	28	600 g
3	15	30	26	158	118	36	24	31	850 g
4.5	19	38	32	200	141	46	28	40	1.700 kg
5	18	37	31	197	145	44	26	40	1.600 kg
7	23	48	38	255	183	54	34	50	3.200 kg
8	30	58	47	310	210	68	43	70	6.300 kg
11	30	58	47	310	224	60/69	42	65	5.950/6.200 kg
15	34	69	60	350	250	79	54	74	9.200 kg
22	40	82	70	430	303	95	68	87	16.550 kg
30	51	89	86	500	341	126	81	108	30 kg

SIMPLEX

SELF LOCKING EYE HOOK

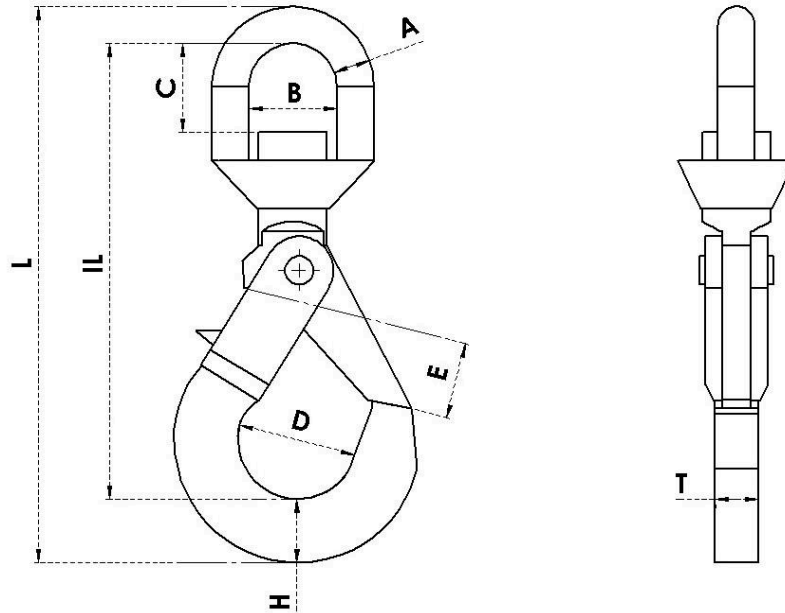


SECTION A-A
SCALE 1:1.3

CAPACITY (ton)	DIA (mm)	HOLE DIA (mm)	OPENING (mm)	LENGTH (mm)	INNER LENGTH (mm)	INNER DIA (mm)	THICKNESS (mm)	HEIGHT (mm)	WT./NO. (kg)
	D1	O	E	L	IL	D2	T	H	
1.12	11	21	23	139	107	30	16	25	0.5
2	11	24	41	160	125	44	20	25	0.75
3.2	15	31	56	205	162	53	23	31	1.35
5.3	20	39	62	252	195	66	32	41	2.85
8	22	54	75	310	245	79	33	54	5.45
12.5	29	60	82	355	254	96	42	58	7.1

SIMPLEX

SELF LOCKING SWIVEL HOOK



CAPACITY	Dia (mm)			Inner Dia (mm)	Opening (mm)	Thickness (mm)	Height (mm)	Inner Length (mm)	Length (mm)
	A	B	C	D	E	T	H	IL	L
1.2	12	31	25	31	58	16	22	146	183
2	13	35	28	41	55	20	28	178	220
3.2	17	40	40	52	73	24	32	220	263
5.3	19	47	46	65	87	32	41	255	313
8	23	56	53	73	103	38	55	314	388
12.5	24	70	63	96	116	50	61	360	435