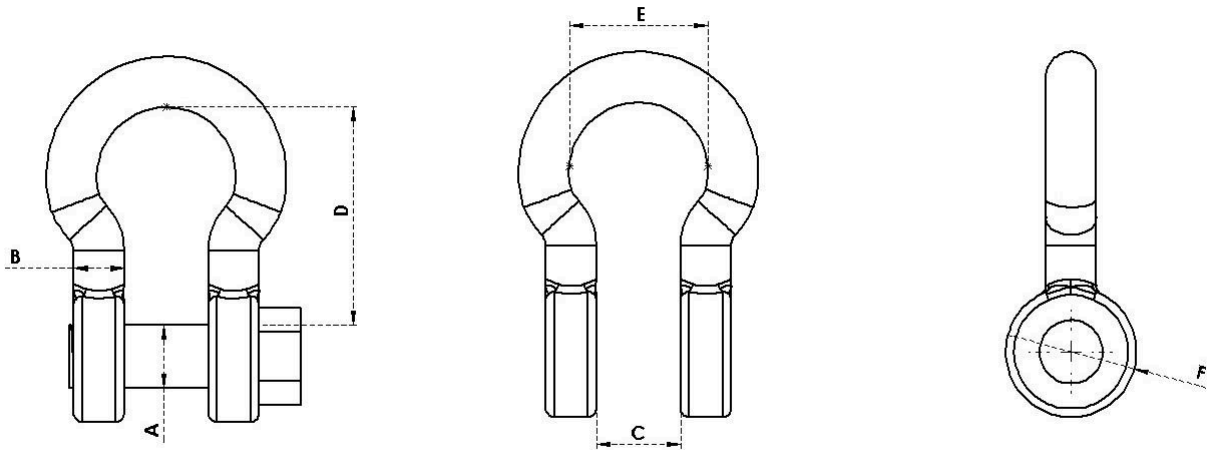


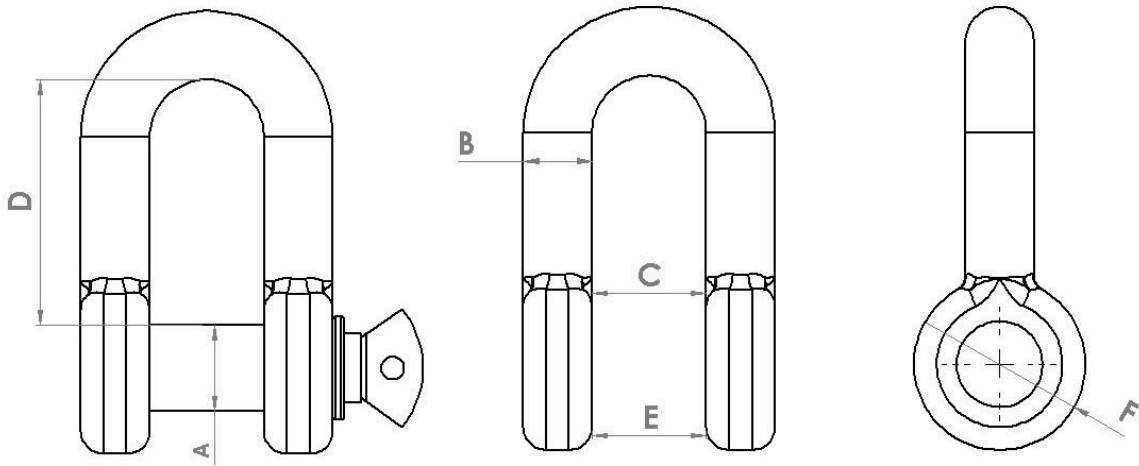
SIMPLEX

BOW SHACKLE GR80 (Screw Pin / Bolt & Nut Type)



CAPACITY	PIN DIAMETER (mm)	BODY DIAMETER (mm)	OPENING (mm)	INNER LENGTH (mm)	INNER WIDTH (mm)	EYE DIAMETER (mm)	WEIGHT
TON	A	B	C	D	E	F	
1	11	10	16	36	25	24	
2	15	12	20	46	33	31	
3.25	19	15	26	60	42	37	
4.75	22	18	31	72	50	43	
6.5	25	20	35	82	56	51	
8.5	28	25	43	93	66	58	
9.5	31	28	42	105	70	62	
12	35	31	49	114	80	75	
13.5	38	35	58	129	89	81	
17	40	38	61	142	96	85	
25	51	42	72	170	124	100	
35	55	52	80	200	140	120	
55	70	64	105	245	175	140	

D - SHACKLE (Screw Pin / Bolt & Nut Type)



TON	PIN DIAMETER (mm)	BODY DIAMETER (mm)	INNER WIDTH (mm)	INNER LENGTH (mm)	OPENING (mm)	EYE DIAMETER (mm)
	A	B	C	D	E	F
0.3	6	5	9	19	9	14
0.5	8	7	12	25	13	18
0.75	9	9	13	26	13	21
1	11	10	17	31	17	24
1.5	13	13	18	36	19	27
2	15	12	20	43	20	30
3.25	19	16	26	51	26	40
4.75	21	18	31	68	32	45
6.5	24	20	35	71	36	51
8.5	28	25	42	78	43	58
9.5	31	28	45	91	45	62
12	35	31	47	97	47	70
13.5	38	34	57	109	57	80
17	40	37	62	123	62	88
25	50	48	72	145	73	105
35	55	52	80	170	81	110
55	70	62	100	200	100	138