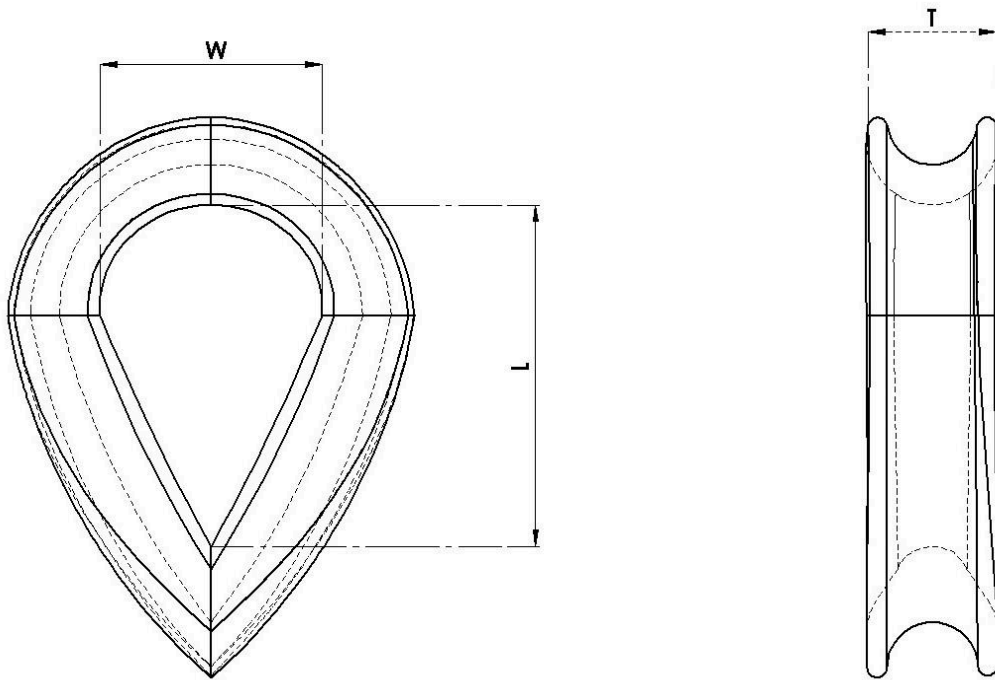


# SIMPLEX

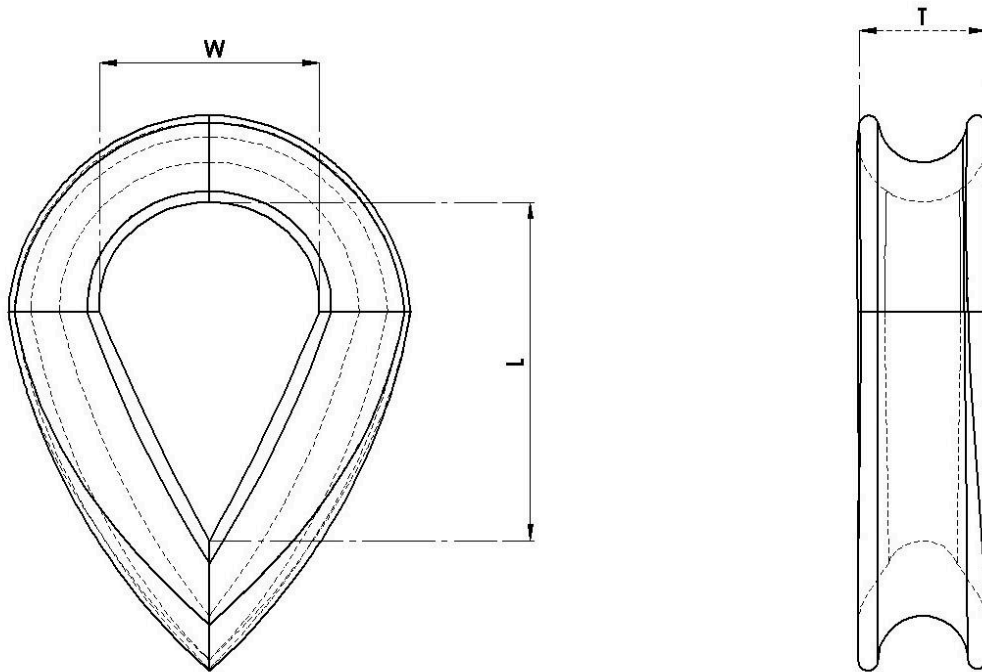
## THIMBLE FOR WIRE ROPE ( HEAVY )



Size	L	W	T	Weight
10	60	29	16	150g
12	72	38	24	200g
14	77	41	25	300g
16	88	43	28	400g
20	106	55	34	650g
22	117	62	36	850g
24	127	70	46	1.5kg
28	137	76	47	1.7kg
32	153	93	52	2.25kg
36	190	102	60	3.55kg
44	250	130	80	10.65kg
52	300	150	90	14.25kg

# SIMPLEX

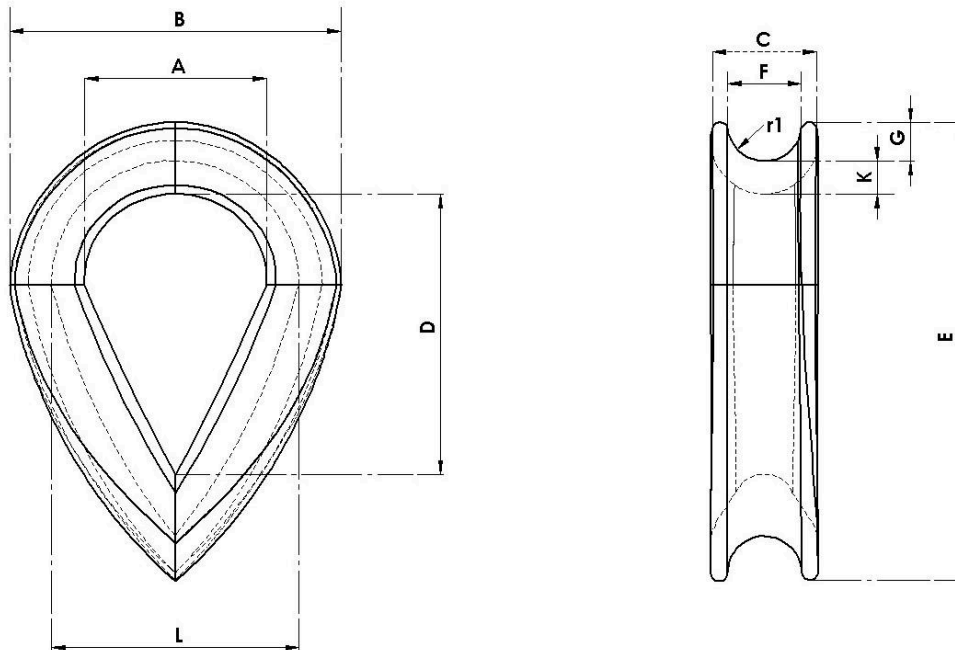
## THIMBLE FOR WIRE ROPE ( NORMAL )



Size	L	W	T	Weight
6	32	21	11	17g
8	45	30	14	35g
10	46	32	16	100g
12	53	37	20	120g
14	60	41	22	150g
16	67	46	23	200g
20	80	53	29	350g
22	93	62	32	400g
24	105	73	37	700g
28	118	83	41	850g
32	141	95	45	1.25kg
36	181	132	56	2.55kg
38	182	140	54	2.7kg
40	180	132	54	2.6kg
42	180	132	57	3kg
52	200	140	75	9.1kg

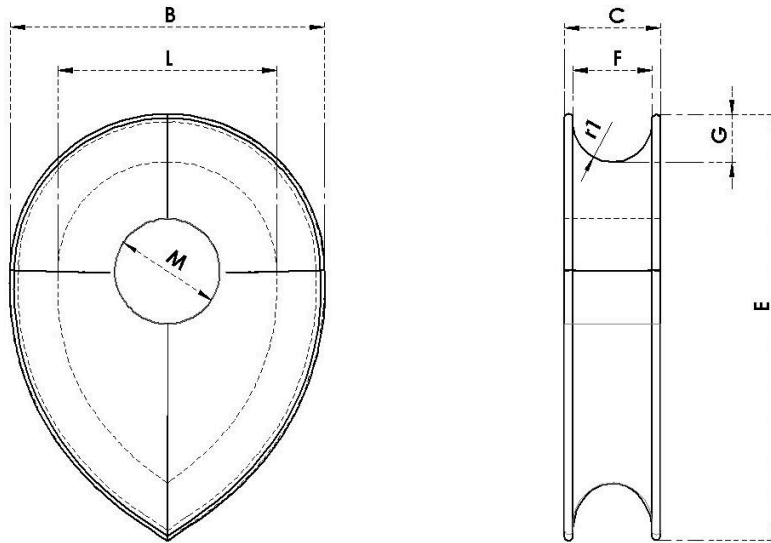
# SIMPLEX

## THIMBLES FOR WIRE ROPES



Nominal Size of Rope	A	B	C	D	E	F	G	r1	K	L
8	22	38	13	34	54	9	4	4.4	4	30
10	24	46	15	38	64	11	6	5.5	5	34
12	32	60	19	44	80	13	8	6.6	6	44
14	32	60	21	44	80	15	8	7.7	6	44
16	40	72	23	58	98	17	8	8.8	8	56
18	44	80	29	66	110	19	10	9.9	8	60
20	50	94	31	74	124	21	12	11	10	70
22	58	102	34	82	134	24	12	12.1	10	78
24	64	108	36	92	150	26	12	13.2	10	84
25	70	118	37	108	162	27	14	13.75	10	90
29	76	132	41	112	176	31	16	15.95	12	100
32	96	152	44	134	196	34	16	19.2	12	120
35	104	174	48	152	228	38	19	21	16	136
38	114	198	54	165	254	41	24	22.8	18	150
41	114	198	56	165	254	44	24	24.6	18	150
44	125	222	57	178	285	47	26	26.4	25	175

## SIMPLEX SOLID THIMBLES



Nominal Size Of Rope	B	C	E	F (Min)	G	r1	L	M* (Max)
8	33	11	46	9	4	4.4	25	12
10	44	15	56	11	6	5.5	32	16
12	60	20	82	13	8	6.6	44	22
14	60	21	82	15	8	7.7	44	22
16	70	23	94	17	10	8.8	50	25
18	80	26	104	19	12	9.9	56	28
20	88	28	116	21	12	11	64	32
22	100	30	125	24	14	12.1	72	34
24	104	33	140	26	14	13.2	76	38
25	114	36	150	27	16	13.75	82	42
29	124	39	165	31	18	15.95	88	44
32	140	45	190	34	20	19.2	100	50
35	154	50	208	38	20	21	114	56
38	169	56	234	41	22	22.8	125	64
41	169	56	234	44	22	24.6	125	64
44	190	65	260	47	25	26.4	140	68
48	206	67	275	51	28	28.8	150	75
51	229	72	300	55	32	30.6	165	78
54	229	76	300	58	32	32.4	165	78
57	243	78	330	61	34	34.2	175	88
64	276	88	375	69	38	38.4	200	100